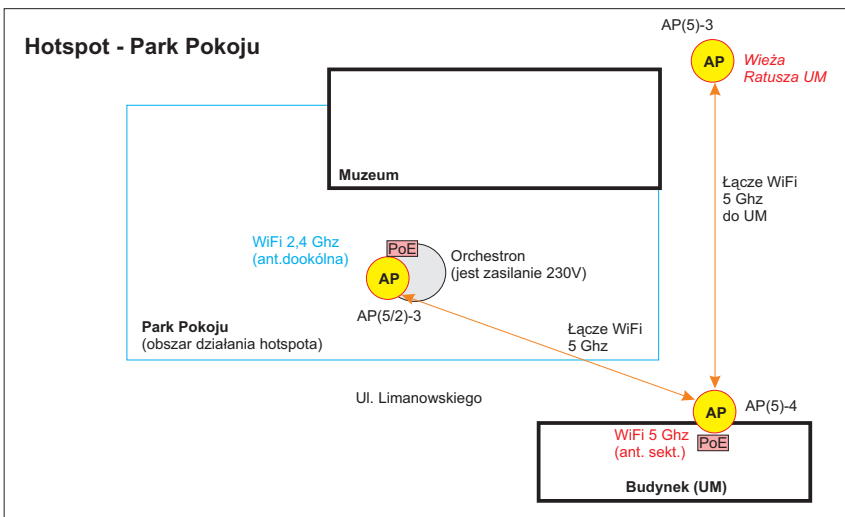


Hotspot "PARK POKOJU" (Hs3)



Specifications

Feature

- 1 x 108Mbps 11a Radio + 1 x 108Mbps 11a/b/g Radio
- Atheros Super A and Super G Support
- High Output Power in 11a(23dB) and 11g/b Mode(23dB in America, 20dB in EU)
- Up to 14 Wireless Operation Modes
- 2 LAN Ports
- 2 N-Type Antenna connectors
- WDS Site Survey and RSSI Signal Survey
- Multi-SSID, VLAN, SNMP
- Bandwidth Control, TOS, and WMM

Hardware

- High power design, 23dBm average power, to extend the wireless range
- Dual wireless interface 11a, 11a/b/g + 11a, operation simultaneously
- Super A/G mode support (Atheros Proprietary)
- RoHS compliant
- IEEE 802.3af (PoE) compliance
- 8MB Flash, 32MB SDRAM
- PoE support by one LAN port
- IP-67 Water Proof Metal Housing

Antenna

- 2 x N-Type antenna connectors

Frequency Range

- WLAN1(Radio 1)
 - 802.11a : 5.15 to 5.825 GHz
- WLAN2 (Radio 2)
 - 802.11b/g : 2.412 to 2.472 GHz
 - 802.11a : 5.15 to 5.825 GHz

Frequency Channel

- WLAN1(Radio 1)
 - 802.11a
 - USA (FCC) : 12
 - Europe (ETSI) : 19
- WLAN2(Radio 2)
 - 802.11b/g
 - USA (FCC) : 11
 - Europe (ETSI) : 13
 - 802.11a
 - USA (FCC) : 12
 - Europe (ETSI) : 19

Power Supply

- 48V/0.4A Power Over Ethernet Adapter

Modulation Technology

- IEEE802.11a 5GHz OFDM
- IEEE802.11b 2.4GHz CCK
- IEEE802.11g 2.4GHz OFDM
- Atheros Proprietary Super A/G mode 802.11a Orthogonal

Wireless transfer Data Rate with Automatic Fallback

- 802.11b: 1, 2, 5.5, 11Mbps
- 802.11g: 1, 2, 5.5, 11, 6, 9, 12, 18, 24, 36, 48, 54Mbps
- 802.11a: 6, 9, 12, 18, 24, 36, 48, 54Mbps

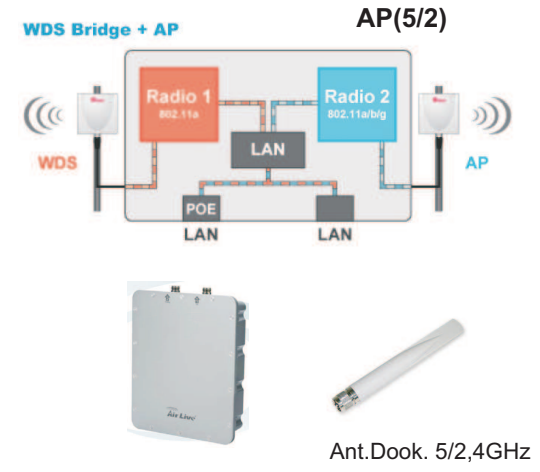
802.11a		802.11g	
54 Mbps @ 17dBm	54 Mbps @ 19dBm	54 Mbps @ 19dBm	54 Mbps @ 19dBm
48 Mbps @ 18dBm	48 Mbps @ 20dBm	48 Mbps @ 20dBm	48 Mbps @ 20dBm
36 Mbps @ 19 dBm	36 Mbps @ 21 dBm	36 Mbps @ 21 dBm	36 Mbps @ 21 dBm
6, 9, 12, 18, 24 Mbps @ 23 dBm	6, 9, 12, 18, 24 Mbps @ 23 dBm	6, 9, 12, 18, 24 Mbps @ 23 dBm	6, 9, 12, 18, 24 Mbps @ 23 dBm

RSSI

802.11a		802.11g	
6Mbps @ -90 dBm	6Mbps @ -89 dBm	6Mbps @ -89 dBm	6Mbps @ -89 dBm
9Mbps @ -89 dBm	9Mbps @ -88 dBm	9Mbps @ -88 dBm	9Mbps @ -88 dBm
12Mbps @ -88 dBm	12Mbps @ -87 dBm	12Mbps @ -87 dBm	12Mbps @ -87 dBm
18Mbps @ -86 dBm	18Mbps @ -86 dBm	18Mbps @ -86 dBm	18Mbps @ -86 dBm
24Mbps @ -82 dBm	24Mbps @ -82 dBm	24Mbps @ -82 dBm	24Mbps @ -82 dBm
36Mbps @ -79 dBm	36Mbps @ -79 dBm	36Mbps @ -79 dBm	36Mbps @ -79 dBm
48Mbps @ -73 dBm	48Mbps @ -73 dBm	48Mbps @ -73 dBm	48Mbps @ -73 dBm
54Mbps @ -71 dBm	54Mbps @ -73 dBm	54Mbps @ -73 dBm	54Mbps @ -73 dBm

Software

- Wi-Fi, WPA compatible interoperability
- Support WDS Bridge Mode, Client Mode, AP Mode on interface under each predefined operational mode
- Client Isolation supported
- SNMP v1/v2 support



Temat:	Projekt systemu PIAP w Cieszynie	Data:	17.09.2009
Rys:	Hotspot "PARK POKOJU" (Hs3)	Nr.rys:	6
Obiekt:	Cieszyn	Skala:	Xx
Adres:	43-400 Cieszyn, ul. Rynek 1		
Investor:	Gmina Cieszyn		
Projektant:	mgr inż. Jan Sadlik / AF SEKO [cert.proj.R&M Freenet, nr. aut: 060524/AFSek/22]		
Sprawdzający:			