

LEGENDA:
 — PRZEWODY C.O.
 — GRZEJNIKI C.O.

V11/600/800

V11/600/600

V11/600/900

V11/600/800

V11/600/800

V11/600/600 V11/600/600 V11/600/600

V11/600/600 V11/600/600 V11/600/600

2.1 / 20P

2.2 / 25P

2.3 / 20P

3.1 / 20P

3.2 / 25P

4.1 / 20P

4.2 / 25P

4.3 / 20P

1.1 / 20P

1.2 / 25P

1.3 / 20P

5.1 / 20P

5.2 / 25P

5.3 / 20P

5.4 / 20P

0.8 / 8P

V11/600/800

V11/600/600

V11/600/900

V11/600/800

V11/600/800

V11/600/600 V11/600/600 V11/600/600

V11/600/600 V11/600/600 V11/600/600

2.1 / 20P

2.2 / 25P

2.3 / 20P

3.1 / 20P

3.2 / 25P

4.1 / 20P

4.2 / 25P

4.3 / 20P

1.1 / 20P

1.2 / 25P

1.3 / 20P

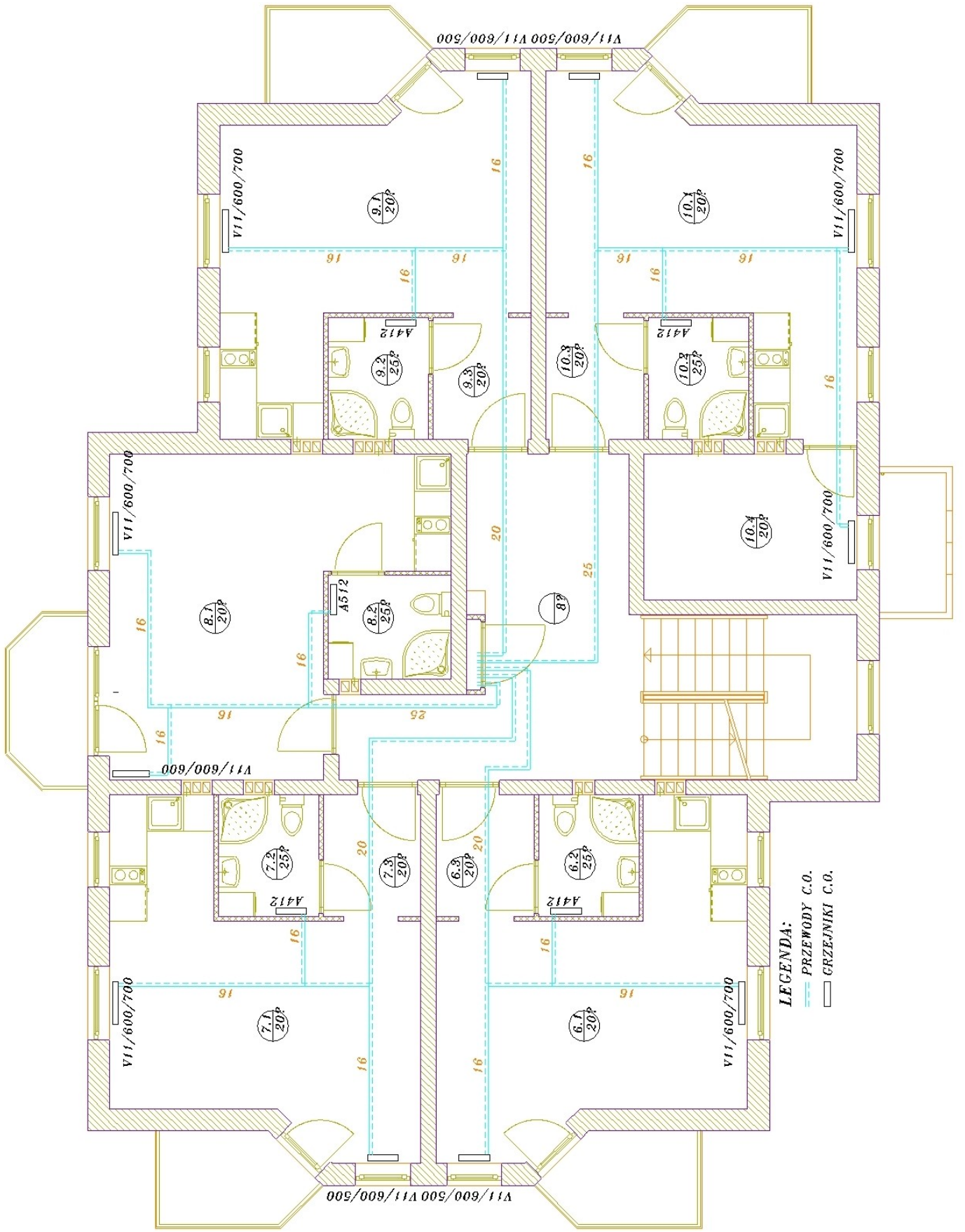
5.1 / 20P

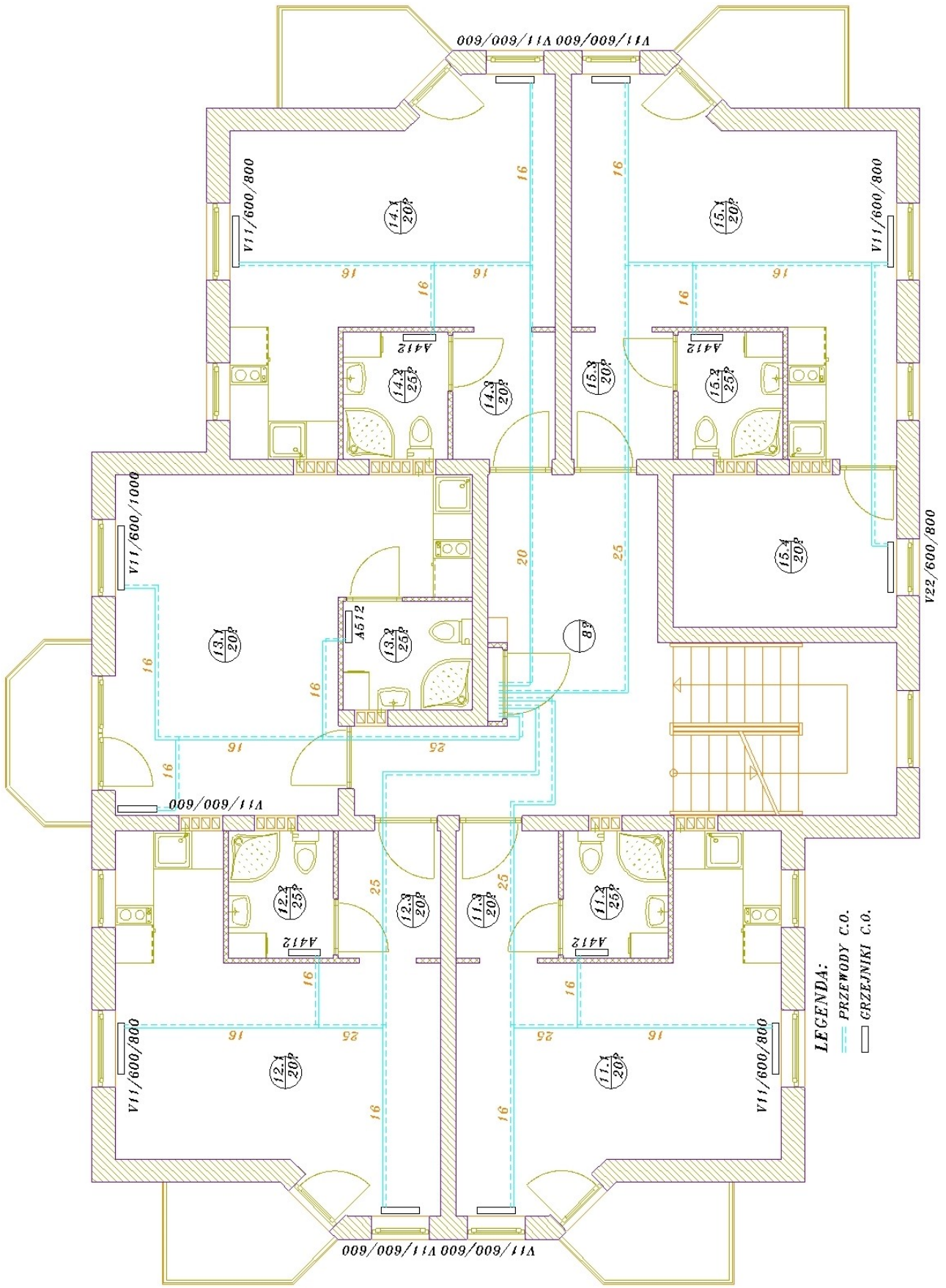
5.2 / 25P

5.3 / 20P

5.4 / 20P

0.8 / 8P

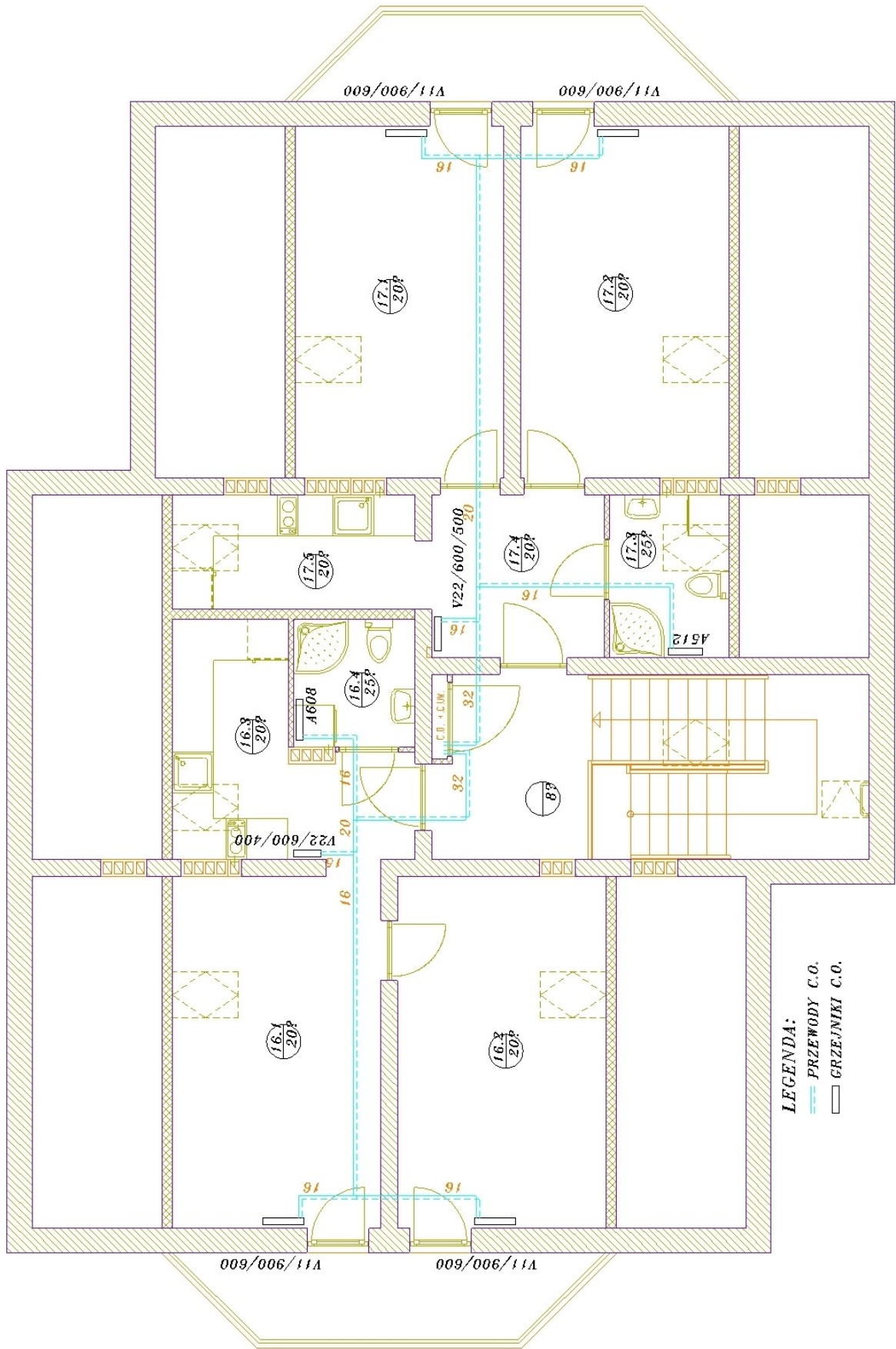




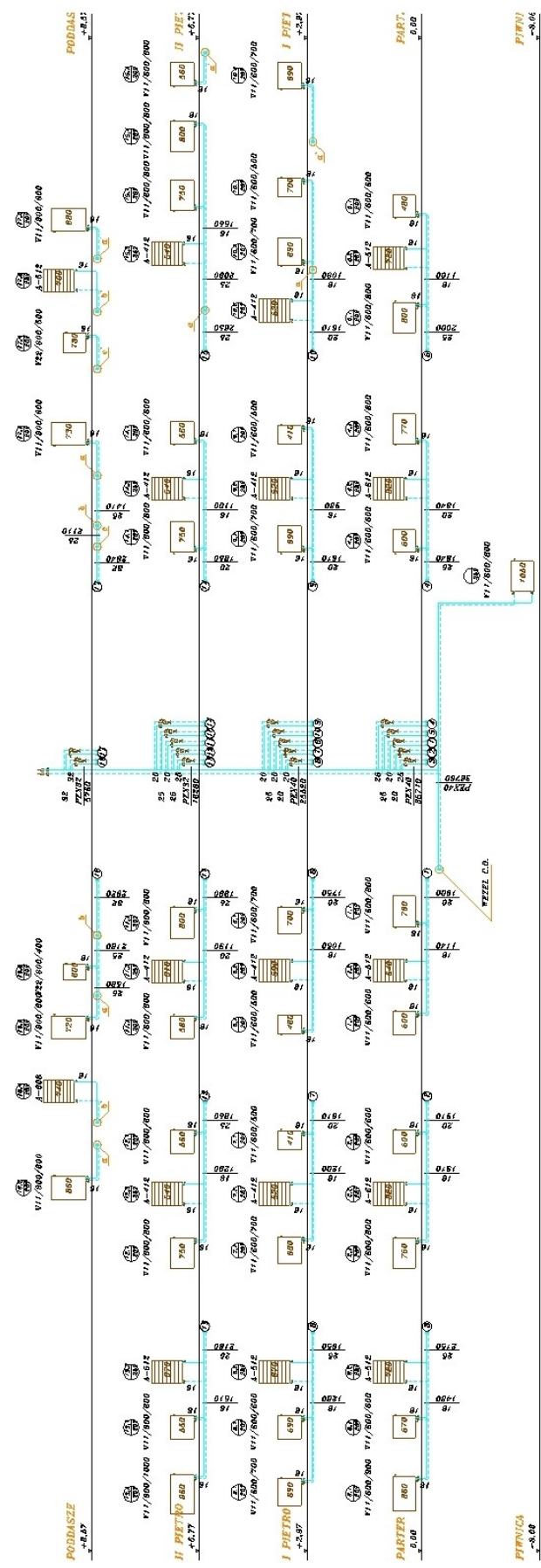
LEGENDA:

— PRZEWODY C.O.

— GRZEJNIKI C.O.



LEGENDA:
 --- PRZEWODY C.O.
 □ GRZEJNIKI C.O.



PODBASZ
-0.17

PODBASZ
-0.17

II PIĘT.
+0.27

II PIĘT.
+0.27

I PIĘT.
+0.00

I PIĘT.
+0.00

PIĘT.
0.00

PIĘT.
0.00

PIĘT.
0.00

PIĘT.
0.00

PEZZI C.D.